



IT-E152 Rack Mount Kit

User 's Manual

Safety Regulations

To avoid electrical shock, do not open the cabinet. Refer servicing to qualified personnel only.

To avoid injuries always disconnect power, discharge circuits, and remove external voltage sources before touching components. **KEEP AWAY FROM LIVE CIRCUITS.**

We cannot accept responsibility for any direct or indirect financial damage or loss of profit that might occur when using the power supply.

The instrument chassis and cover must be connected to an electrical ground.

Certification

We certify that this product met its published specifications at time of shipment from the factory.

Warranty

This hardware product is warranted against defects in material and workmanship for a period of **ONE** year from date of delivery. During the warranty period, our company will either repair or Replace product which is proved to be defective. For warranty service, with the exception of warranty options, this product must be returned to a service facility designated by our company. Customer shall prepay shipping charges by (and shall pay all duty and taxes) for products returned to our place for warranty service. Our company shall pay for return of products to customer.

Limitation of Warranty

The foregoing warranty shall not apply to defects resulting from improper or inadequate maintenance by the Customer, Customer-supplied software or interfacing, unauthorized modification or misuse, operation outside of the environmental specifications for the product, or improper site preparation and maintenance.

Notice

The information contained in this document is subject to change without notice.

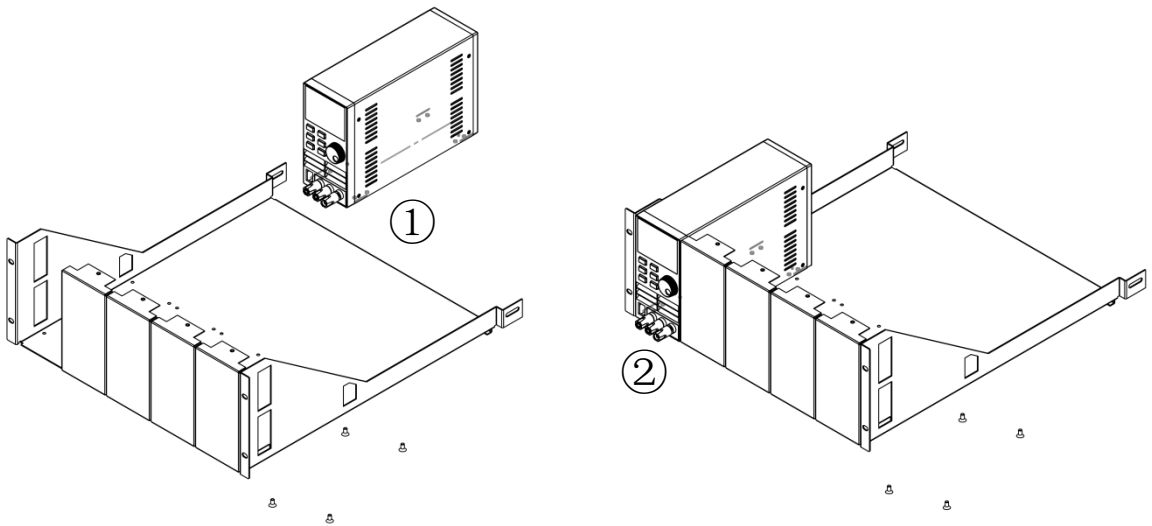
About IT-E152

All of our company's electronic load (IT8200 series) and power supply (IT6700 series) can be installed in standard 19" rack mount. IT-E152 is specially prepare for you.

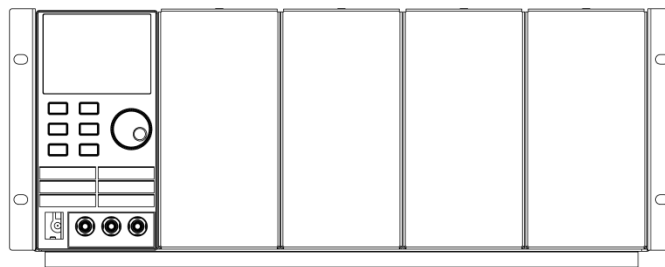
Mounting operation

Single unit installation steps:

- ① Remove the black rubber foot under the machine.
- ② Put machine into IT-E152 rack mount, fix it by tightening the screws on the bottom of IT-E152.

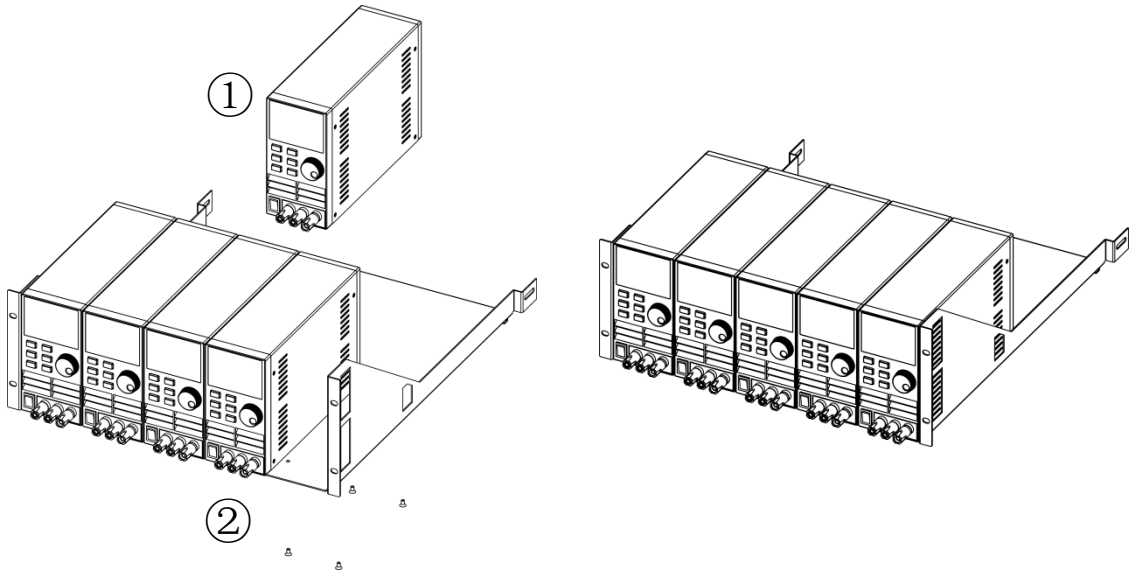


Front view of single unit installation

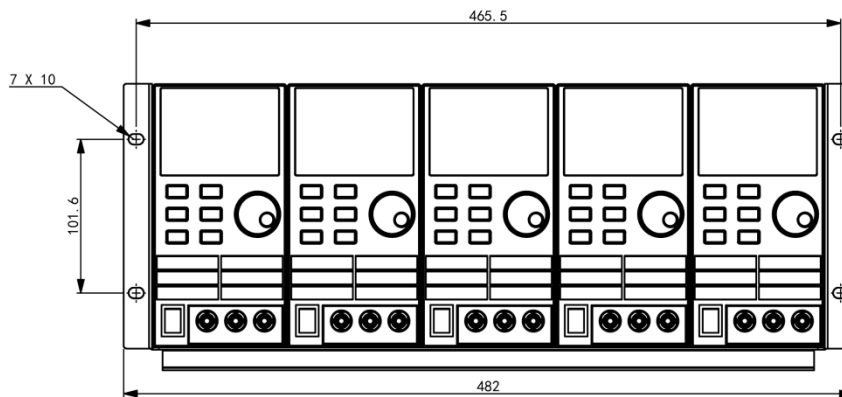


5 units installation steps:

- ① Remove the black rubber foot under every machine.
- ② Put 5 units into IT-E152 rack mount, fix them by tightening the screws on the bottom of IT-E152.



Front view of 5 units installation



Units: mm



YOUR POWER TESTING SOLUTION



Contact US

Thank you for purchasing ITECH products. If you have any doubt about this product, please contact us as follow.

1. Please refer to the CD-ROM of related user's manual in package.
2. Click www.itechate.com or scan the right two-dimension code to visit the ITECH website.
3. Send E-mail to fae@itech.sh or dial the service hot-line in China: 4006025000
4. Select the most convenient contact method for further consultancy.

